

## Identification Data



September 10, 2020  
 LAB GROWN DIAMOND  
 Certificate No: 302410409

### Gemprint™

Gemprint is the unique optical fingerprint for positive identification of your lab grown diamond. Register your lab grown diamond at [www.Gemprint.com](http://www.Gemprint.com) and receive insurance discounts up to 10%.



### Laser Inscription:

The illustration depicts enlarged and approximate appearances of the inscriptions. Girdle laser inscribed "GROWN IN THE USA BY WD", GCAL Logo and "LG302410409"



**GCAL** GEM CERTIFICATION & ASSURANCE LAB  
 ISO 17025 ACCREDITED FORENSIC LABORATORY

580 Fifth Avenue LL-05, NY, NY 10036 USA • T 212.869.8985 • GCALUSA.com

ISO/IEC 17025:2017  
 ANAB L2177-1  
 Accredited Testing Lab



## The 4Cs Grading Analysis

GCAL 302410409

LAB GROWN DIAMOND\*

**Carat Weight:** 2.09

**Cut:** Very Good  
**Shape:** Princess  
**Measurements:** 6.99x6.75x4.91mm  
**Optical Brilliance:** Excellent  
**Optical Symmetry:** Good  
**Polish:** Very Good  
**External Symmetry:** Very Good  
**Girdle Thickness:** Thick  
**Culet Size:** None

**Color:** H  
**Fluorescence:** None

**Clarity:** VS2  
**Identifying Characteristic(s):** Crystals, Cloud  
**Characteristic Location(s):** Table

\*Comments: This man-made diamond was grown in a laboratory by the CVD method, and has the same chemical, physical, and optical properties as a natural earth mined diamond. This diamond is Type IIa, which means it is devoid of nitrogen impurities.

### Photomicrographs:

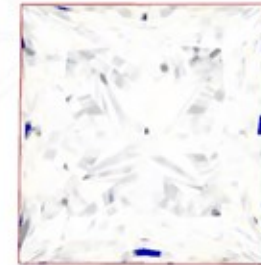
Actual images of the crown (top) and pavilion (bottom) of this diamond photographed at magnifications up to 10x.



## Light Performance Profile

### Optical Brilliance Analysis:

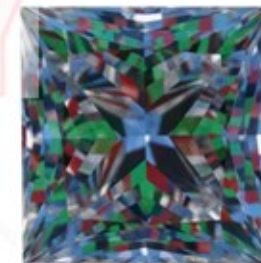
Brilliance is the overall return of light to the viewer. The brilliance image is a representation of (a) white areas of light return, or brilliance, and (b) dark-blue areas of light loss.



Optical Brilliance  
 Excellent

### Optical Symmetry Analysis:

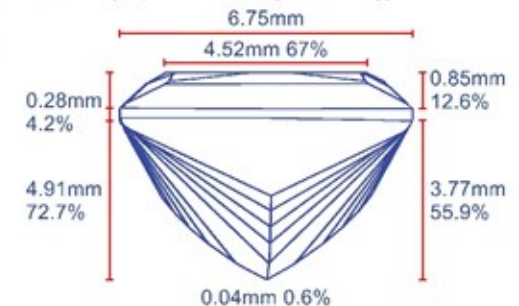
The colored areas of the symmetry image are indications of light handling ability, giving a visual representation of proportions and facet alignment.



Optical Symmetry  
 Good

### Proportion Diagram:

The proportion diagram illustrates the actual dimensions as recorded by optical scanning technology.



Guaranteed Lab Grown Diamond Grading Certificate

ELECTRONIC COPY