

Identification Data



November 23, 2020

LAB GROWN DIAMOND

Certificate No: 303210118

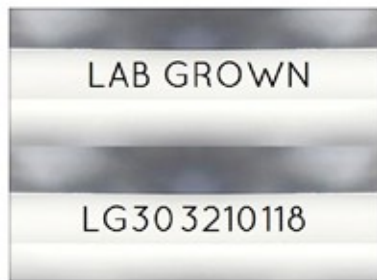
Gemprint[®]

Gemprint is the unique optical fingerprint for positive identification of your lab grown diamond. Register your lab grown diamond at www.Gemprint.com and receive insurance discounts up to 10%.



Laser Inscription:

The illustration depicts enlarged and approximate appearances of the inscriptions. Girdle laser inscribed "LAB GROWN" and "LG303210118"



The 4Cs Grading Analysis

GCAL 303210118

LAB GROWN DIAMOND*

Carat Weight:

1.51

Cut:

Very Good

Shape:

Emerald Step

Measurements:

7.56x5.18x3.79mm

Optical Brilliance:

Excellent

Optical Symmetry:

Very Good

Polish:

Good

External Symmetry:

Very Good

Girdle Thickness:

Thick

Culet Size:

None

Color:

F

Fluorescence:

None

Clarity:

VS1

Identifying Characteristic(s):

Clouds

Characteristic Location(s):

Crown Step

*Comments: This man-made diamond was grown in a laboratory by the CVD method, and has the same chemical, physical, and optical properties as a natural earth mined diamond. This diamond is Type IIa, which means it is devoid of nitrogen impurities.

Photomicrographs:

Actual images of the crown (top) and pavilion (bottom) of this diamond photographed at magnifications up to 10x.



Light Performance Profile

Optical Brilliance Analysis:

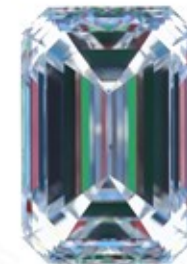
Brilliance is the overall return of light to the viewer. The brilliance image is a representation of (a) white areas of light return, or brilliance, and (b) dark-blue areas of light loss.



Optical Brilliance
Excellent

Optical Symmetry Analysis:

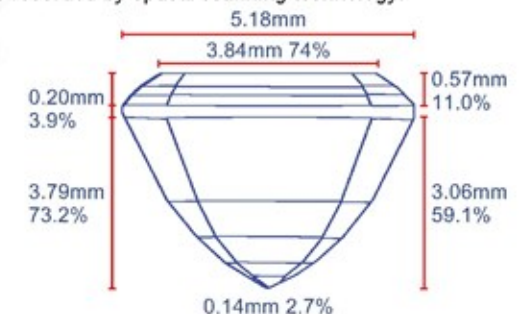
The colored areas of the symmetry image are indications of light handling ability, giving a visual representation of proportions and facet alignment.



Optical Symmetry
Very Good

Proportion Diagram:

The proportion diagram illustrates the actual dimensions as recorded by optical scanning technology.



GCAL GEM CERTIFICATION & ASSURANCE LAB
ISO 17025 ACCREDITED FORENSIC LABORATORY

580 Fifth Avenue LL-05, NY, NY 10036 USA • T 212.869.8985 • GCALUSA.com

ISO/IEC 17025 2017
ANAB L2177-1
Accredited Testing Lab



Guaranteed Lab Grown Diamond Grading Certificate