

Identification Data



January 10, 2022

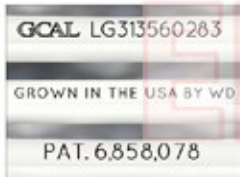
LAB GROWN DIAMOND
Certificate No: 313560283

Gemprint™ *The fingerprint system for diamonds*®



Gemprint is the unique optical identification fingerprint of your lab grown diamond. Register your lab grown diamond fingerprint at www.Gemprint.com and receive insurance discounts up to 10%.

Laser Inscription



Girdle laser inscribed:
GCAL LG313560283
GROWN IN THE USA BY WD
PAT. 6,858,078
This illustration depicts the approximate appearance of the inscriptions

Certified
**SUSTAINABILITY RATED
DIAMOND**
SCS GLOBAL SERVICES

All certified diamonds come with an individual certificate, ONLY available at an accredited retailer



FOR THE SUSTAINABILITY RATED CERTIFICATE, SCAN HERE →

The 4Cs Grading Analysis

GCAL 313560283

LAB GROWN DIAMOND*

Carat Weight: 1.08

Cut: Excellent
Shape: Princess
Measurements: 5.69x5.47x3.83mm
Optical Brilliance: Excellent
Optical Symmetry: Very Good
Polish: Excellent
External Symmetry: Very Good
Girdle Thickness: SI.Thick-Very Thick
Culet Size: None

Color: F
Fluorescence: None

Clarity: VS1
Identifying Characteristic(s): Clouds
Characteristic Location(s): Table, Half Moon

*Comments: This laboratory grown diamond was created by the CVD (Chemical Vapor Deposition) method, and has the same chemical, physical, and optical properties as a mined diamond. This diamond is Type IIa, which means it is devoid of nitrogen impurities. As Grown - No evidence of post-growth treatment was detected.

Photomicrographs:

Actual images of the crown (top) and pavilion (bottom) of this diamond photographed at magnifications up to 10x.



Light Performance Profile

Optical Brilliance Analysis:

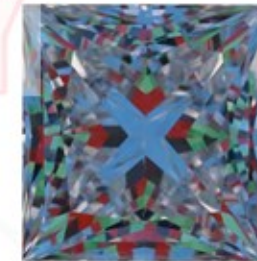
Brilliance is the overall return of light to the viewer. The brilliance image is a representation of (a) white areas of light return, or brilliance, and (b) dark-blue areas of light loss.



Optical Brilliance
Excellent

Optical Symmetry Analysis:

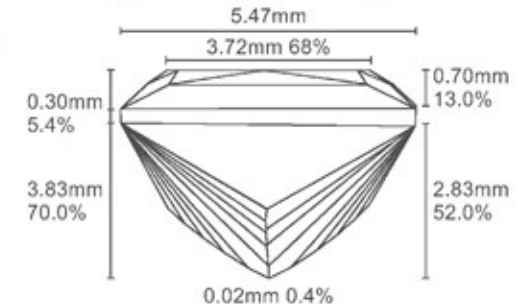
The colored areas of the symmetry image are indications of light handling ability, giving a visual representation of proportions and facet alignment.



Optical Symmetry
Very Good

Proportion Diagram:

The proportion diagram illustrates the actual dimensions as recorded by optical scanning technology.



GCAL GEM CERTIFICATION & ASSURANCE LAB
ISO 17025 ACCREDITED FORENSIC LABORATORY

580 Fifth Ave LL-05
New York, NY 10036
T 212-869-8985
GCALUSA.com



ISO/IEC 17025 2017
ANAB L2177-1 Accredited Testing Lab