

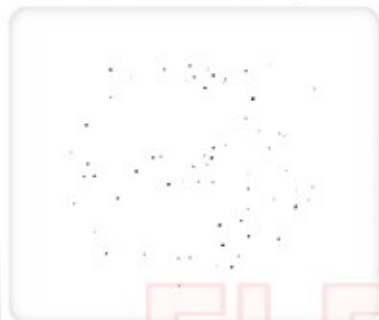
Identification Data



September 11, 2020
 LAB GROWN DIAMOND
 Certificate No: 302520002



Gemprint is the unique optical fingerprint for positive identification of your lab grown diamond. Register your lab grown diamond at www.Gemprint.com and receive insurance discounts up to 10%.



Laser Inscription:

The illustration depicts enlarged and approximate appearances of the inscriptions. Girdle laser inscribed "GROWN IN THE USA BY WD", GCAL Logo and "LG302520002"



The 4Cs Grading Analysis

GCAL 302520002 LAB GROWN DIAMOND*

Carat Weight: 2.05

Cut: Very Good
 Shape: Princess
 Measurements: 7.04x6.70x4.76mm
 Optical Brilliance: Excellent
 Optical Symmetry: Good
 Polish: Very Good
 External Symmetry: Very Good
 Girdle Thickness: Thick
 Culet Size: None

Color: H
Fluorescence: None

Clarity: VS2
 Identifying Characteristic(s): Clouds
 Characteristic Location(s): Crown Shoulder, Table, Crown Corner

*Comments: This man-made diamond was grown in a laboratory by the CVD method, and has the same chemical, physical, and optical properties as a natural earth mined diamond. This diamond is Type IIa, which means it is devoid of nitrogen impurities.

Photomicrographs:

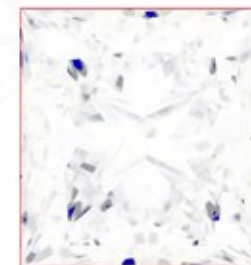
Actual images of the crown (top) and pavilion (bottom) of this diamond photographed at magnifications up to 10x.



Light Performance Profile

Optical Brilliance Analysis:

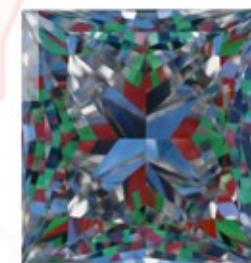
Brilliance is the overall return of light to the viewer. The brilliance image is a representation of (a) white areas of light return, or brilliance, and (b) dark-blue areas of light loss.



Optical Brilliance
Excellent

Optical Symmetry Analysis:

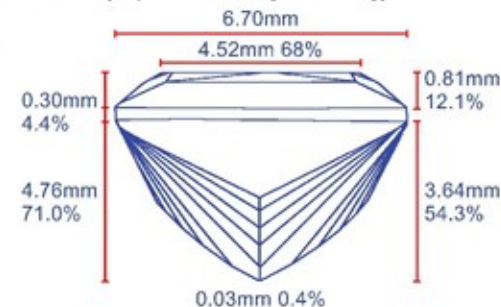
The colored areas of the symmetry image are indications of light handling ability, giving a visual representation of proportions and facet alignment.



Optical Symmetry
Good

Proportion Diagram:

The proportion diagram illustrates the actual dimensions as recorded by optical scanning technology.



GCAL GEM CERTIFICATION & ASSURANCE LAB
 ISO 17025 ACCREDITED FORENSIC LABORATORY

580 Fifth Avenue LL-05, NY, NY 10036 USA • T 212.869.8985 • GCALUSA.com

ISO/IEC 17025:2017
 ANAB L2177-1
 Accredited Testing Lab

