

Identification Data



October 9, 2020
 LAB GROWN DIAMOND
 Certificate No: 302750192

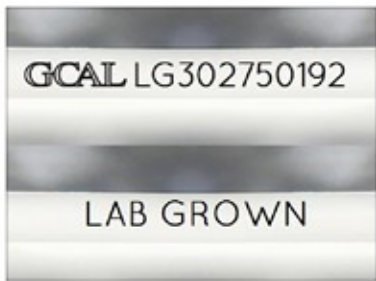
Gemprint®

Gemprint is the unique optical fingerprint for positive identification of your lab grown diamond. Register your lab grown diamond at www.Gemprint.com and receive insurance discounts up to 10%.



Laser Inscription:

The illustration depicts enlarged and approximate appearances of the inscriptions. Girdle laser inscribed "LAB GROWN", GCAL Logo and "LG302750192"



The 4Cs Grading Analysis

GCAL 302750192 LAB GROWN DIAMOND*

Carat Weight: 1.09

Cut: Excellent
Shape: Princess
Measurements: 5.48x5.47x4.01mm
Optical Brilliance: Excellent
Optical Symmetry: Very Good
Polish: Very Good
External Symmetry: Very Good
Girdle Thickness: SI.Thick-Thick
Culet Size: None

Color: E
Fluorescence: None

Clarity: VS2
Identifying Characteristic(s): Clouds/Feathers
Characteristic Location(s): Table/Table, Crown Corner

*Comments: This man-made diamond was grown in a laboratory by the CVD method, and has the same chemical, physical, and optical properties as a natural earth mined diamond. This diamond is Type IIa, which means it is devoid of nitrogen impurities.

Photomicrographs:

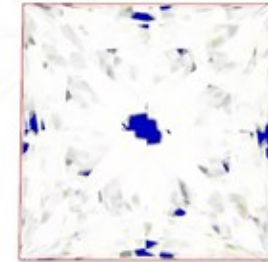
Actual images of the crown (top) and pavilion (bottom) of this diamond photographed at magnifications up to 10x.



Light Performance Profile

Optical Brilliance Analysis:

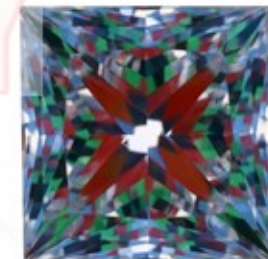
Brilliance is the overall return of light to the viewer. The brilliance image is a representation of (a) white areas of light return, or brilliance, and (b) dark-blue areas of light loss.



Optical Brilliance
Excellent

Optical Symmetry Analysis:

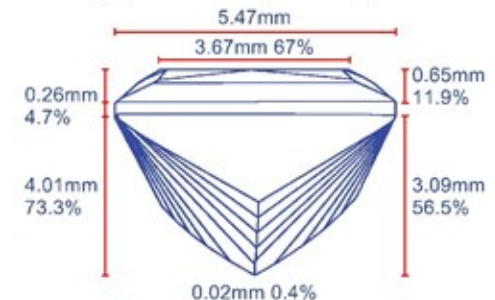
The colored areas of the symmetry image are indications of light handling ability, giving a visual representation of proportions and facet alignment.



Optical Symmetry
Very Good

Proportion Diagram:

The proportion diagram illustrates the actual dimensions as recorded by optical scanning technology.



GCAL GEM CERTIFICATION & ASSURANCE LAB
 ISO 17025 ACCREDITED FORENSIC LABORATORY

580 Fifth Avenue LL-05, NY, NY 10036 USA • T 212.869.8985 • GCALUSA.com

ISO/IEC 17025:2017
 ANAB L2177-1
 Accredited Testing Lab



Guaranteed Lab Grown Diamond Grading Certificate