

## Identification Data



November 15, 2020  
 LAB GROWN DIAMOND  
 Certificate No: 303110047

### Gemprint®

Gemprint is the unique optical fingerprint for positive identification of your lab grown diamond. Register your lab grown diamond at [www.Gemprint.com](http://www.Gemprint.com) and receive insurance discounts up to 10%.



### Laser Inscription:

The illustration depicts enlarged and approximate appearances of the inscriptions. Girdle laser inscribed "GROWN IN THE USA BY WD", "PAT. 6,858,078", GCAL Logo and "LG303110047"



## The 4Cs Grading Analysis

GCAL 303110047      LAB GROWN DIAMOND\*

**Carat Weight:** 0.72

**Cut:** Very Good  
 Shape: Princess  
 Measurements: 4.97x4.81x3.37mm  
 Optical Brilliance: Excellent  
 Optical Symmetry: Good  
 Polish: Very Good  
 External Symmetry: Very Good  
 Girdle Thickness: SI.Thick-Thick  
 Culet Size: None

**Color:** J  
**Fluorescence:** None

**Clarity:** VS1  
 Identifying Characteristic(s): Clouds/Pinpoints  
 Characteristic Location(s): Crown Corner, Half Moon/Table

\*Comments: This man-made diamond was grown in a laboratory by the CVD method, and has the same chemical, physical, and optical properties as a natural earth mined diamond. This diamond is Type IIa, which means it is devoid of nitrogen impurities.

### Photomicrographs:

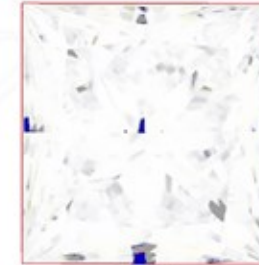
Actual images of the crown (top) and pavilion (bottom) of this diamond photographed at magnifications up to 10x.



## Light Performance Profile

### Optical Brilliance Analysis:

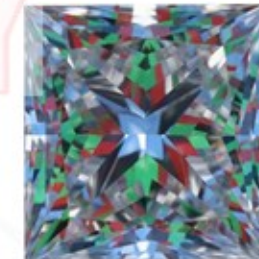
Brilliance is the overall return of light to the viewer. The brilliance image is a representation of (a) white areas of light return, or brilliance, and (b) dark-blue areas of light loss.



Optical Brilliance  
Excellent

### Optical Symmetry Analysis:

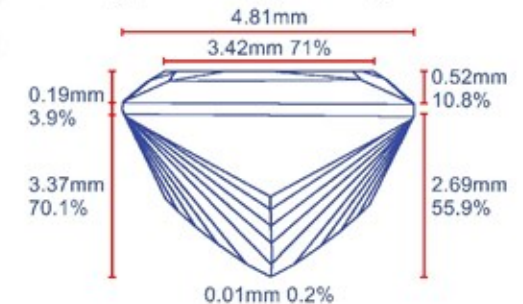
The colored areas of the symmetry image are indications of light handling ability, giving a visual representation of proportions and facet alignment.



Optical Symmetry  
Good

### Proportion Diagram:

The proportion diagram illustrates the actual dimensions as recorded by optical scanning technology.



**GCAL** GEM CERTIFICATION & ASSURANCE LAB  
 ISO 17025 ACCREDITED FORENSIC LABORATORY

580 Fifth Avenue LL-05, NY, NY 10036 USA • T 212.869.8985 • GCALUSA.com

ISO/IEC 17025:2017  
 ANAB L2177-1  
 Accredited Testing Lab



Guaranteed Lab Grown Diamond Grading Certificate