

Identification Data



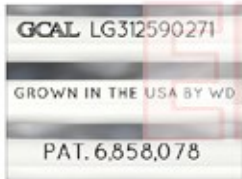
October 8, 2021
 LAB GROWN DIAMOND
 Certificate No: 312590271

Gemprint The fingerprint system for diamonds®



Gemprint is the unique optical identification fingerprint of your lab grown diamond. Register your lab grown diamond fingerprint at www.Gemprint.com and receive insurance discounts up to 10%.

Laser Inscription



Girdle laser inscribed:
 GCAL LG312590271
 GROWN IN THE USA BY WD
 PAT. 6,858,078
 This illustration depicts the approximate appearance of the inscriptions

Certified
**SUSTAINABILITY RATED
 DIAMOND**
 SCS GLOBAL SERVICES

All certified diamonds come with an individual certificate, ONLY available at an accredited retailer



FOR THE SUSTAINABILITY RATED CERTIFICATE, SCAN HERE →

The 4Cs Grading Analysis

GCAL 312590271

LAB GROWN DIAMOND*

Carat Weight: 1.59

Cut: Excellent
Shape: Princess
Measurements: 6.46x6.20x4.51mm
Optical Brilliance: Excellent
Optical Symmetry: Very Good
Polish: Very Good
External Symmetry: Very Good
Girdle Thickness: Medium-Thick
Culet Size: None

Color: G
Fluorescence: None

Clarity: VS2
Identifying Characteristic(s): Clouds/Chip
Characteristic Location(s): Table/Crown Corner

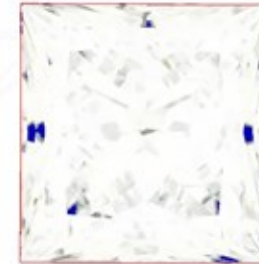
*Comments: This laboratory grown diamond was created by the CVD (Chemical Vapor Deposition) method, and has the same chemical, physical, and optical properties as a mined diamond. This diamond is Type IIa, which means it is devoid of nitrogen impurities. As Grown - No evidence of post-growth treatment was detected.

Photomicrographs:
 Actual images of the crown (top) and pavilion (bottom) of this diamond photographed at magnifications up to 10x.



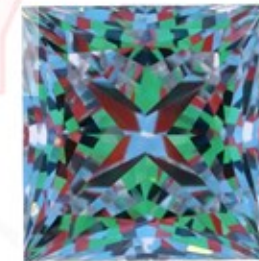
Light Performance Profile

Optical Brilliance Analysis:
 Brilliance is the overall return of light to the viewer. The brilliance image is a representation of (a) white areas of light return, or brilliance, and (b) dark-blue areas of light loss.



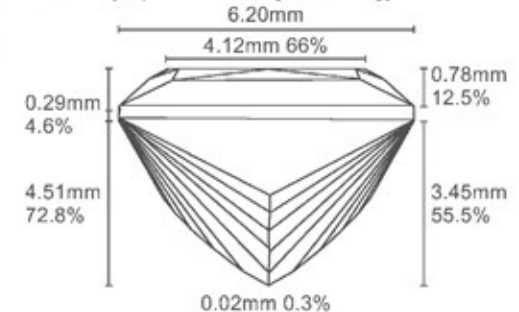
Optical Brilliance
 Excellent

Optical Symmetry Analysis:
 The colored areas of the symmetry image are indications of light handling ability, giving a visual representation of proportions and facet alignment.



Optical Symmetry
 Very Good

Proportion Diagram:
 The proportion diagram illustrates the actual dimensions as recorded by optical scanning technology.



GCAL GEM CERTIFICATION & ASSURANCE LAB
 ISO 17025 ACCREDITED FORENSIC LABORATORY

580 Fifth Ave LL-05
 New York, NY 10036
 T 212-869-8985
 GCALUSA.com



ISO/IEC 17025 2017
 ANAB L2177-1 Accredited Testing Lab