

Identification Data



March 28, 2022

LAB GROWN DIAMOND
Certificate No: 320770373

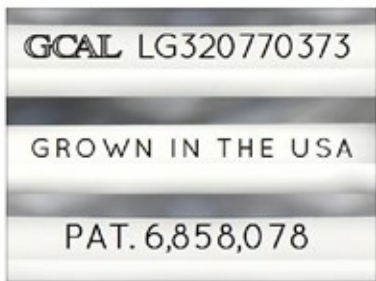
Gemprint®

Gemprint is the unique optical fingerprint for positive identification of your lab grown diamond. Register your lab grown diamond at www.Gemprint.com and receive insurance discounts up to 10%.



Laser Inscription:

The illustration depicts enlarged and approximate appearances of the inscriptions. Girdle laser inscribed "GROWN IN THE USA", "PAT. 6,858,078", GCAL Logo and "LG320770373"



The 4Cs Grading Analysis

GCAL 320770373

LAB GROWN DIAMOND*

Carat Weight: 1.39

Cut: Very Good
Shape: Princess
Measurements: 6.10x5.91x4.31mm
Optical Brilliance: Excellent
Optical Symmetry: Good
Polish: Excellent
External Symmetry: Very Good
Girdle Thickness: SI.Thick-Thick
Culet Size: None

Color: F
Fluorescence: None

Clarity: VS2
Identifying Characteristic(s): Crystals
Characteristic Location(s): Table

*Comments: This laboratory grown diamond was created by the CVD (Chemical Vapor Deposition) method, and has the same chemical, physical, and optical properties as a mined diamond. This diamond is Type IIa, which means it is devoid of nitrogen impurities.

Photomicrographs:

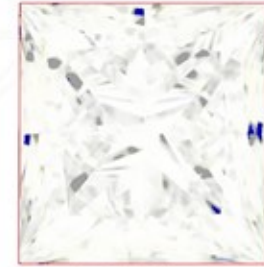
Actual images of the crown (top) and pavilion (bottom) of this diamond photographed at magnifications up to 10x.



Light Performance Profile

Optical Brilliance Analysis:

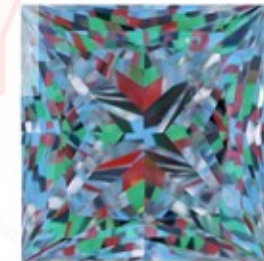
Brilliance is the overall return of light to the viewer. The brilliance image is a representation of (a) white areas of light return, or brilliance, and (b) dark-blue areas of light loss.



Optical Brilliance
Excellent

Optical Symmetry Analysis:

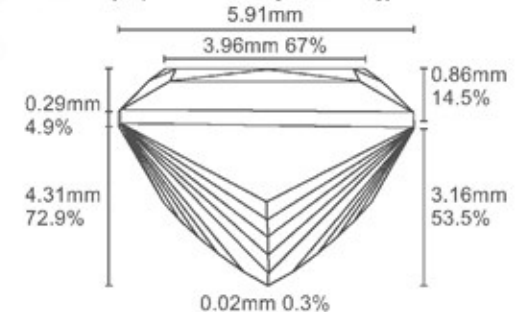
The colored areas of the symmetry image are indications of light handling ability, giving a visual representation of proportions and facet alignment.



Optical Symmetry
Good

Proportion Diagram:

The proportion diagram illustrates the actual dimensions as recorded by optical scanning technology.



Guaranteed Lab Grown Diamond Grading Certificate



GCAL GEM CERTIFICATION & ASSURANCE LAB
ISO 17025 ACCREDITED FORENSIC LABORATORY

580 Fifth Ave LL-05
New York, NY 10036
T 212-869-8985
GCALUSA.com



ISO/IEC 17025 2017
ANAB L2177-1 Accredited Testing Lab